

## 98 Series Technical Data

### THERMAL CIRCUIT BREAKERS (PUSH TO RESET)



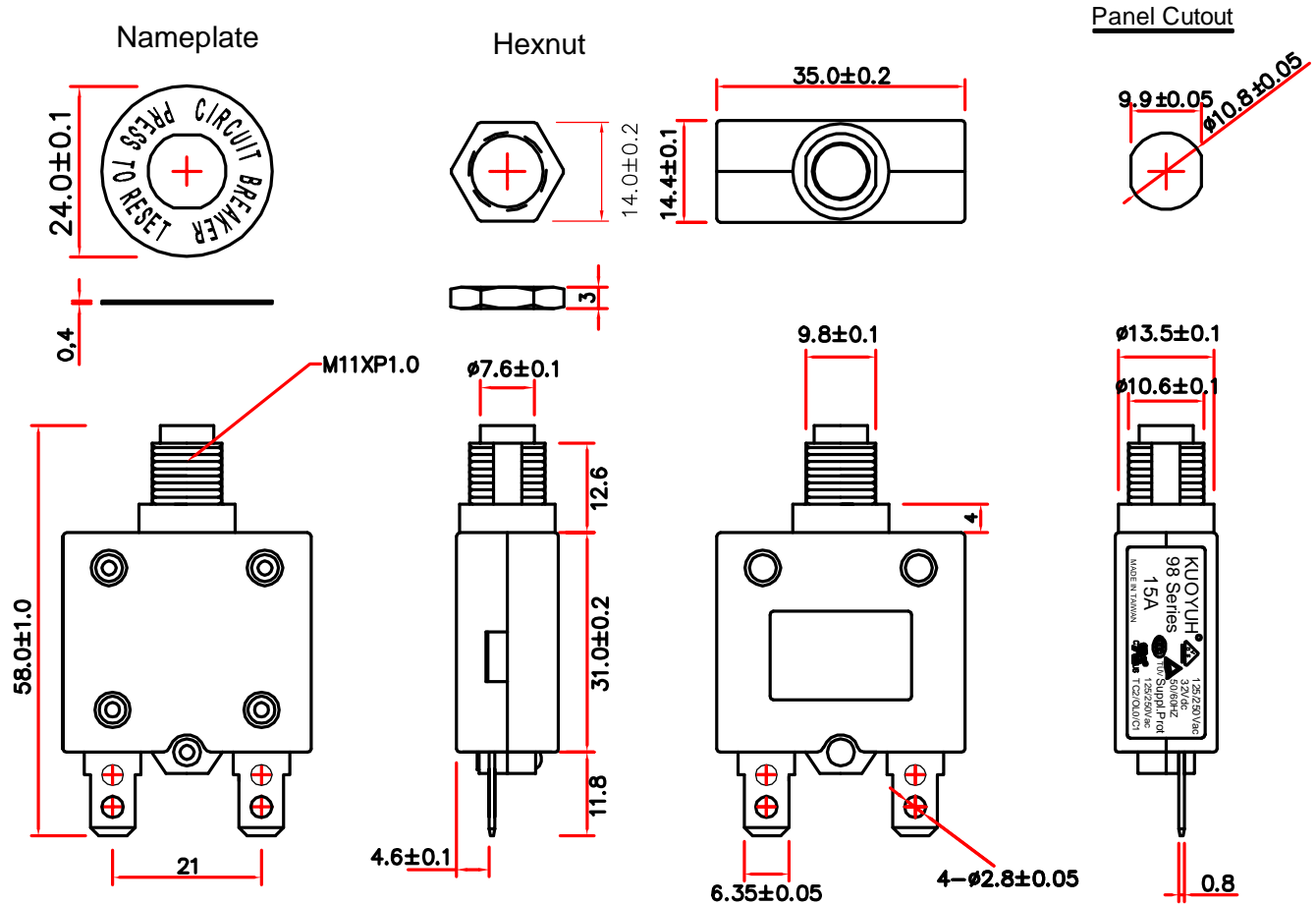
---

Issue: KUOYUH W.L. Enterprise Co.,Ltd.  
Date: 2008/09/03  
Author: Hunter Huang  
Edition: F/0

# 98 Series Technical Data

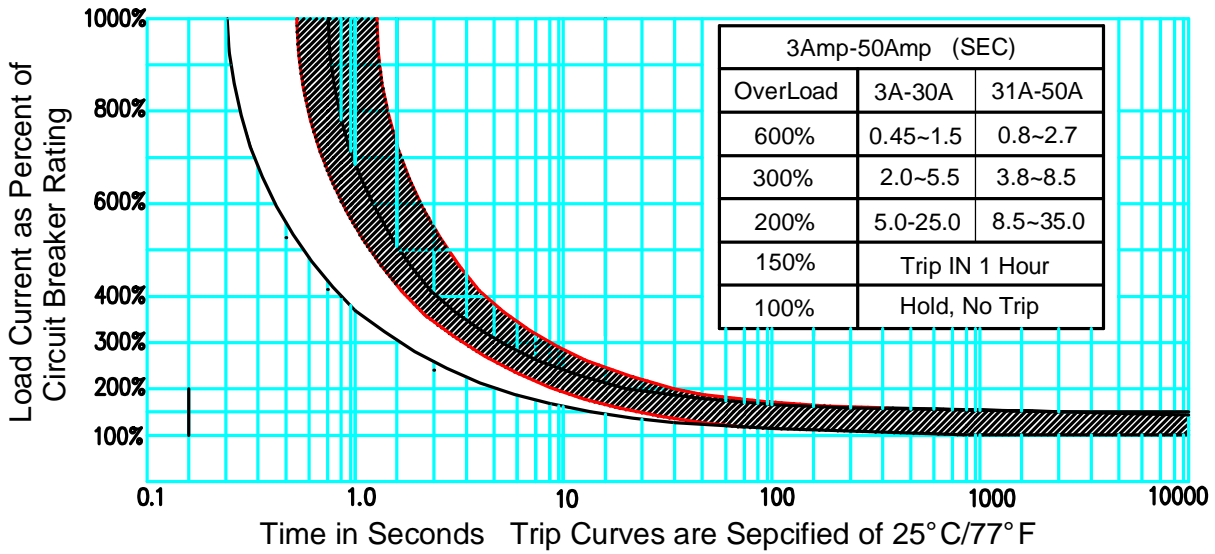
Rating: 3~40Amp  
 Input Power: 125/250Vac 32Vdc  
 Interruption Capacity: 1000AmpX125Vac 200AmpX250Vac  
 Dielectric Strength: 1500Vac X 1Minute  
 Resettable Overload Capacity: 6 Time Rated Current  
 Voltage Drop: Less Than 0.25V  
 Insulation Resistance: >500 M ohm  
 Reset Time: Within 60sec  
 Temperature Rise at Terminal Block: Less than 65°c at 100% of rated current applied continuously  
 Contact Endurance: 125Vac X150% of rated current >500 cycles  
 Approvals: UL cUL 3A-30A E155159(S)  
 VDE 3A-16A 40010769  
 Complies with Rohs

## 98-15-A1B14-B0B



NO	DESCRIPTION	DATE	TOLERANCE		APPROVED	CHECK	DESING	DRAWER	UNIT	mm			
			DIMENSION	TOLERANCE									
5			XX.XX	±0.05					SCALE	1:1			
4			XX.X	±0.1					DATE	2008/09/03			
3			XX	±0.15					REV	F/0			
2			ANGLE	TOLERANCE					FILE NO	91 Series Circuit Breaker		TITLE	SPEC.1
1			X	±1°					KUOYUH W.L. Enterprise Co.,Ltd.			DRAWING NO	98-15-A1B14-B0B
			X.X	±0.5°									

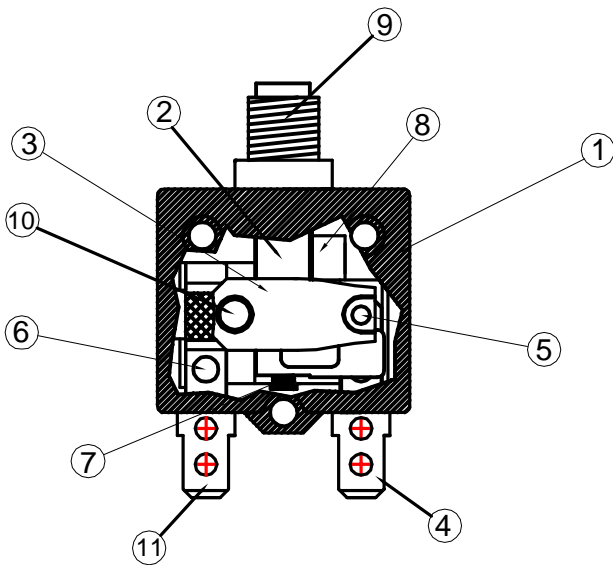
### Trip Time Curves



### Ambient Temperature Correction Factor

Temperature	-5°C	0°C	10°C	20°C	25°C	30°C	40°C	50°C	60°C
Factor	X1.3	X1.2	X1.1	X1.05	X1.0	X0.9	X0.8	X0.7	X0.6

The time/current the ambient temperature prevailing, In order to eliminate nuisance tripping. Please multiply the current breaker current ratings by the derating factor shown below.



### Material List

No	Name	Q'ty	Material
1	Case	1 pc	Phenolic
2	Push Rod	1 pc	Phenolic
3	Bimetal	1 pc	EMS,HooD,Sumitomo
4	Terminal	1 pc	Copper alloys 0.8t
5	Contact	2 pcs	Ag-CdO
6	Rivet	5 pcs	Aluminum alloy
7	Spring	1 pc	Stainless
8	Base	1 pc	Phenolic
9	Mounting Means	1 pc	Plated metal
10	Washer	1 pc	Copper alloys 0.8t
11	Terminal	1 pc	Copper alloys 0.8t
12	Hexnut	1 pc	Plated metal
13	Knurlnut	1 pc	Plated metal
14	Nameplate	1 pc	Aluminum alloy

Complies with Rohs

NO	DESCRIPTION	DATE	TOLERANCE	APPROVED	CHECK	DESING	DRAWER	UNIT	mm
5			TOLERANCE						
4			DIMENSION TOLERANCE					SCALE	1:1
3			XX.XX ±0.05					DATE	2008/09/03
2		XX.X ±0.1	REV					F/0	
1		XX ±0.15	TITLE					SPEC.1	
			ANGLE TOLERANCE	FILE NO	91 Series Circuit Breaker		TITLE	SPEC.1	
			X ±1°	KUOYUH W.L. Enterprise Co.,Ltd.			DRAWING NO	98-15-A1B14-B0B	
			X.X ±0.5°				DRAWING NO	98-15-A1B14-B0B	

