

3-Channel Power Management Units for ADSL Modems & Set-top Boxes

DESCRIPTION

The ETA9020 power-management IC (PMIC) consists of a 1A synchronous buck regulator, a 500mA LDO and a unique, patent-pending configurable PWM controller. This controller can be either configured as a current-mode step-down converter or a step-up converter with external MOSFET or BJT and a Schottky diode. This configuration scheme makes this PMIC a complete power solution for next generation set-top boxes. It is a much more superior solution to systems that are stilling using 34063 type of ICs as power supplies. Besides needing much fewer external components, providing much higher efficiency, it also provides flexibility for system designer to easily tailor the power supply design for different system requirements. For example, ETA9020 can be configured as two Step -down converters and one LDO, or as one Step-down, one Step-up converter and one LDO. The ETA9020 is housed in a thin QFN3x3-16pin package.

APPLICATIONS

- ADSL Modems
- Set-top Boxes
- High efficiency 34063 replacements

FEATURES

- One 1A Synchronous Step-Down
- One Configurable DC-DC PWM Controller
- One 500mA LDO
- QFN3x3-16L Package

TYPICAL APPLICATION

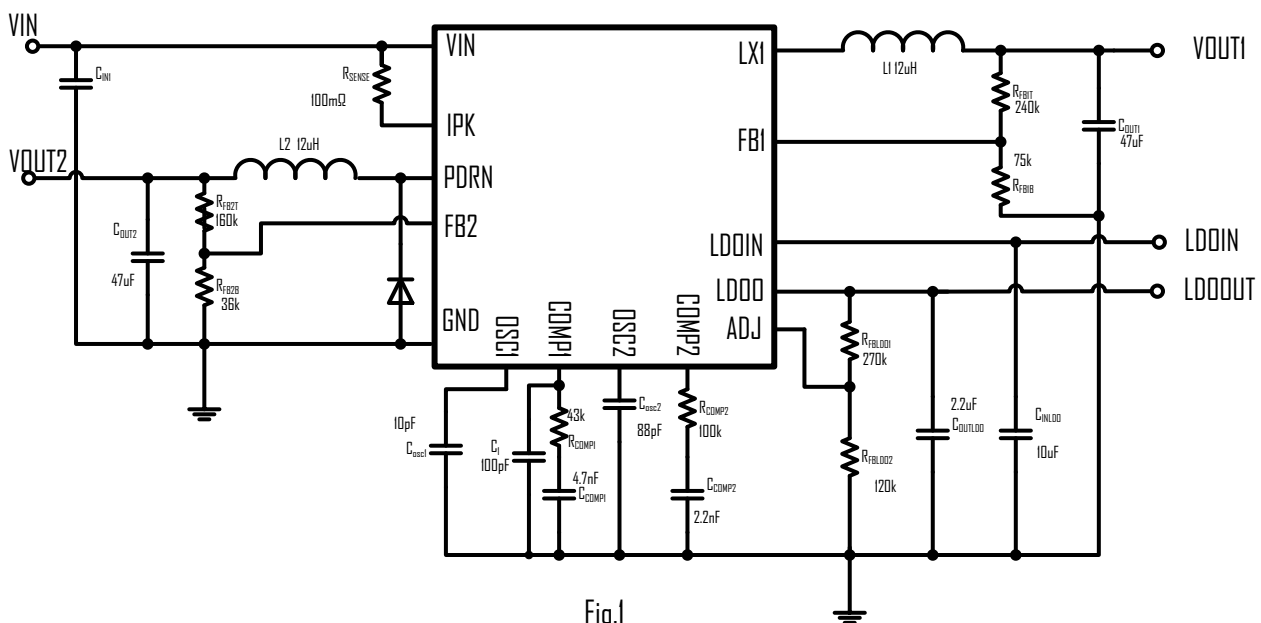


Fig.1
ETA9020 configured as Two step-down converters and one LDO